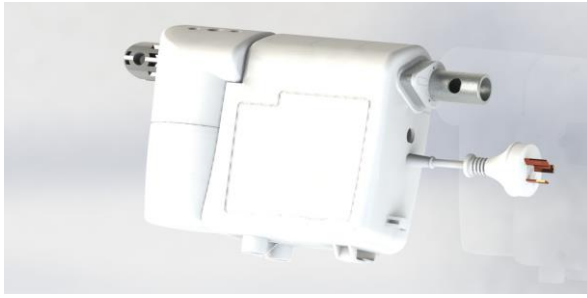


4-5 CB06



CB06 control box is designed to be mounted with LA33 as one for saving installation space with better look, it is mainly used in care beds and hospital beds.

Features :

- Connecting up to 3 actuators. Actuator type: LA29, LA31, LA32, LA33, LA35 and LA39 (90 degree DIN plug)
- Can be used with HB8X, HB3X, FS and FLS series (with 90 degree, 8PIN DIN plug)
- Elegant design
- Power indicator light
- Mains voltage: 220-240/ 100-120V AC; 50-60HZ
- Output voltage: 24V DC
- 1.8m straight power cable
- Duty cycle: Max. 5% or 3 min./ 1 hour in continuous use
- Ambient temperature: +5°C to +40°C
- Protection class: IP51
- Color: Gray white (Black Min. order 500pcs)

Options :

- Protection class: IP54

CB06 Ordering Example :

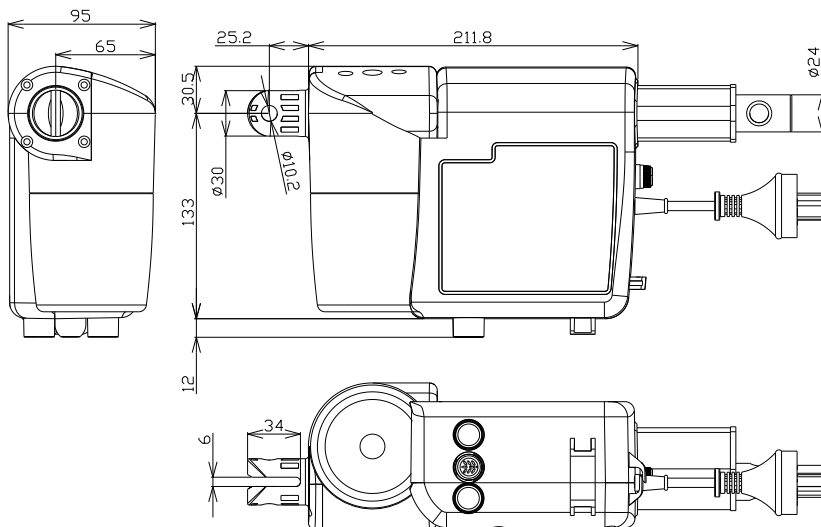
CB06 . 1 - 2EU + 22-66

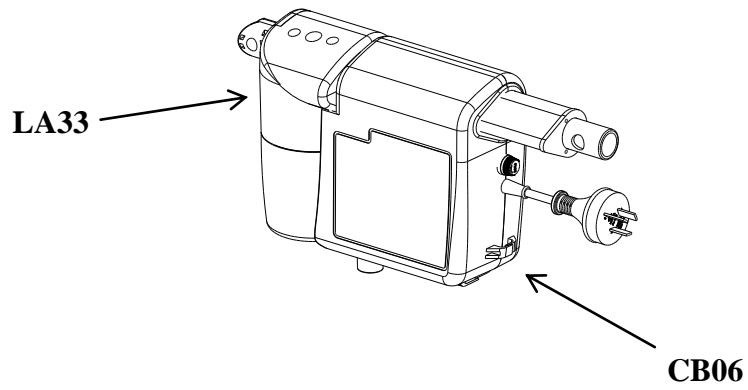
TRANSFORMER POWER	66=66 W	76=76 W ★					
MAINS VOLTAGE (Input Mains Voltage)	10=100V ★	12=120V	22=230V				
POWER CABLES	2EU: 2P, STRAIGHT, EU CABLE						
	2JP: 2P, STRAIGHT, JP CABLE ★						
	2UL: 2P, STRAIGHT, UL CABLE						
	2UK: 2P, STRAIGHT, UK CABLE ★						
	2AUS: 2P, STRAIGHT, AUS CABLE★						
	2IN: 2P, STRAIGHT, IN CABLE★						
NO. OF CHANNELS (Max. QTY of connecting Actuator)	1: 1 CHANNEL★			2: 2 CHANNELS ★		3: 3 CHANNELS	
CONTROL BOX TYPE	CB06- STANDARD						

(Actuator sockets on CB06 are for 90 degree DIN Plug)

The 「★」 signal is for special specification.

Dimensions :





Notice:

- ◆ CB06 must be used with actuators with 90° Din plug
- ◆ 9V battery must use Alkaline battery
- ◆ The design of 9V battery is designed to operate back, foot and the move down of the bed when electricity shortage happen.
- ◆ Battery cannot be long-term put in the control box to avoid running out of electricity or the leak of electrolyte to damage control box.