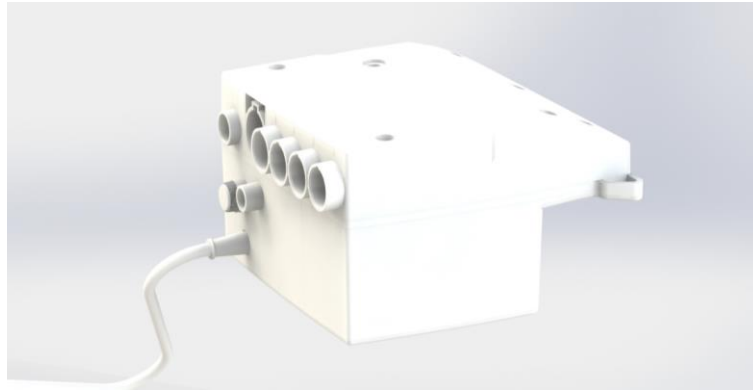


4-6 CB09



CB09 is the block shape control box, it can be mounted with LA31, also BA-16 can be connected as the back-up power, it is suitable for vast medical and industrial applications.

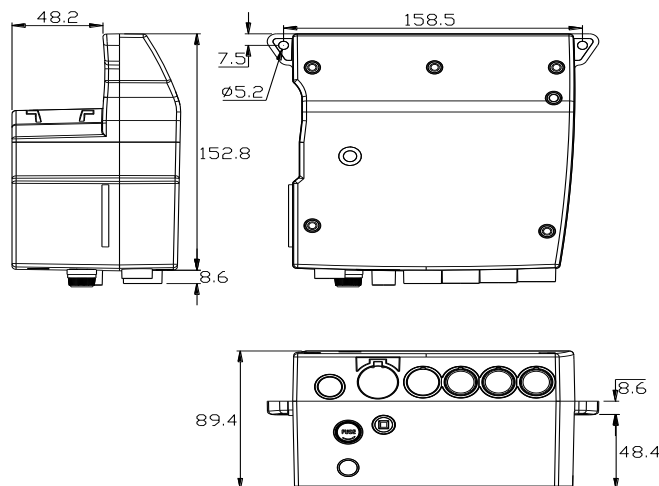
Features :

- Max. for 4 actuators. Actuator type: LA31、LA32、LA33、LA35(with DIN Plug)
- Mains voltage: 220-240/ 100-120V AC; 50-60Hz
- Compact high power toroidal transformer ensures low power consumption and low electromagnetic emission
- Electronic overload protection (EOP) common for all channels
- DIN socket for handset HB3X、HB7X、HB8X、ACP or FS
- Duty cycle: Max. 10% or 6 min./ 1 hour in continuous use
- Ambient temperature: +5°C to +40°C
- Protection class: IP54
- Color: Gray- White (Black Min. Order 500pcs)
- Warning function when battery in low Voltage

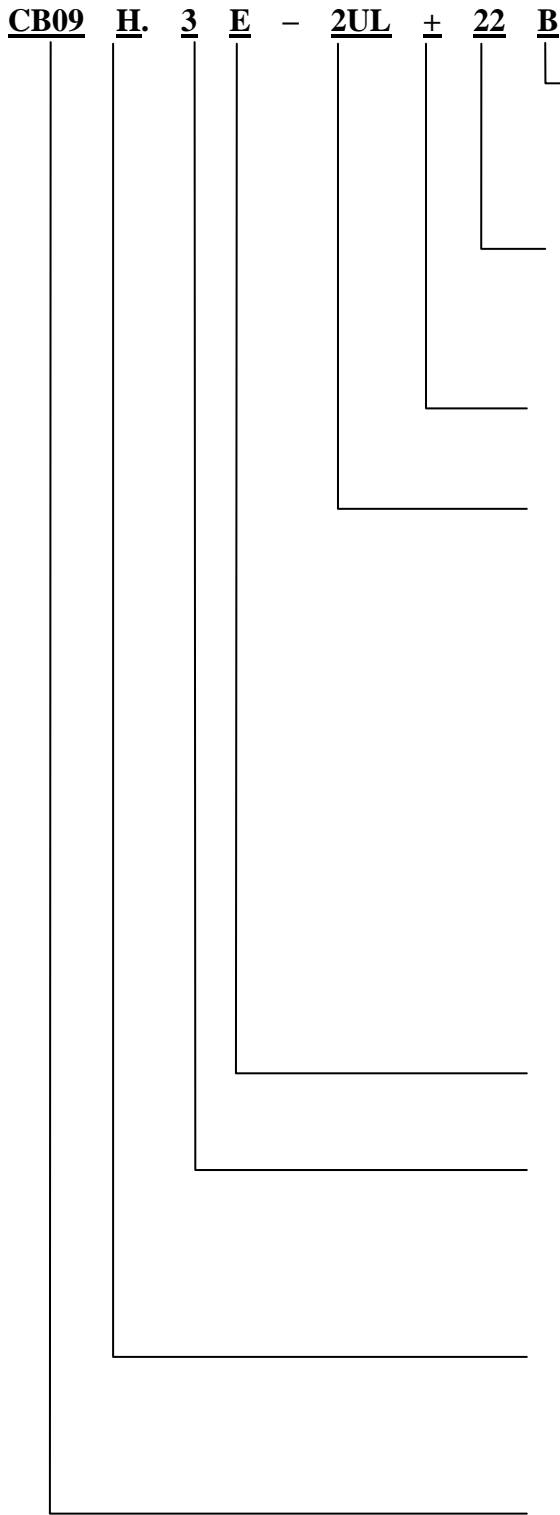
Options :

- Battery back-up: battery sets BA16 (Lead-Acid battery)
- Class 1: earth connection
- Mains fuse can be replaced from the out-side
- Protection class: IP66
- T type-cable device for operating two handsets simultaneously

CB09 Dimensions :



CB09 Ordering Example :



BATTERY CHARGER

B : Battery Charger

T : Without Battery Charger ※

MAIN VOLTAGE 10 = 100V ★
 12 = 120V ※
 22 = 230V

COLOR + : Gray-white
 - : Black (Min.Order 500pcs) ★

POWER CABLES

- 2EU: 2P, STRAIGHT, EU CABLE
- 2JP: 2P, STRAIGHT, JP CABLE ★
- 2UL: 2P, STRAIGHT, UL CABLE ☆
- 2UK: 2P, STRAIGHT, UK CABLE
- 2AUS: 2P, STRAIGHT, AUS CABLE ★
- 3EU: 3P, STRAIGHT, EU CABLE ☆
- 3UL: 3P, STRAIGHT, UL CABLE ☆
- 3IN: 3P, STRAIGHT, IN CABLE ☆
- 3UK: 3P, STRAIGHT, UK CABLE ★
- 3AUS: 3P, STRAIGHT, AUS CABLE ★

EARTH CONNECTION E

NO. OF CHANNELS 1: 1 CHANNEL
 2: 2 CHANNELS
 3: 3 CHANNELS
 4: 4 CHANNELS

HIGH POWER H (Suitable for heavy load or the simultaneous movement of two axes actuators)

CONTROL BOX TYPE CB09-STANDARD

(Actuator sockets on CB09 are for Din Plug)

The 「★」 signal is for special specification.

The 「※」 signal is only for China products .

The 「☆」 signal merchandise in China belongs to special specification.

Notice :

- ◆ CB09 has to use actuators with DIN Plug, such as, LA31, LA32 and LA33.
- ◆ T-Cable device needed when operating two handsets simultaneously or one handset and one ACP simultaneously.
- ◆ BA16: DC24V/ 1.2Ah Lead-Acid battery.