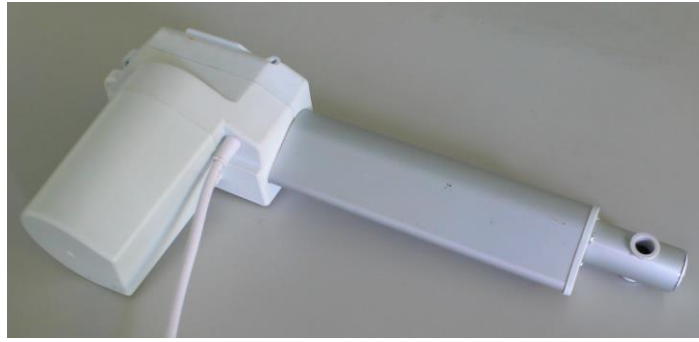


3-2 LA29



LA29 is an economical type actuator, mainly applied on simple home style sofas and electrical beds which only require 6000N on push thrust. When LA29 is used with CB03 control box, CB03 can be mounted on LA29 as one to save the occupy space and make the shape better.

Feature :

- 24V DC permanent magnet motor.
- Up to 6000N in push and up to 1000N in pull.
- Built-in limit switches (not adjustable)
- Stroke length: 10cm~25cm
- Aluminum material tunnel outside, exquisite and classical
- Elegant and compact design; small installation dimension
- Duty cycle: Max. 10% or 2 min. continuous usage followed by 18 min. rest
- Ambient temperature: +5°C to +40°C
- Color: Black
- Protection Class: IP 54

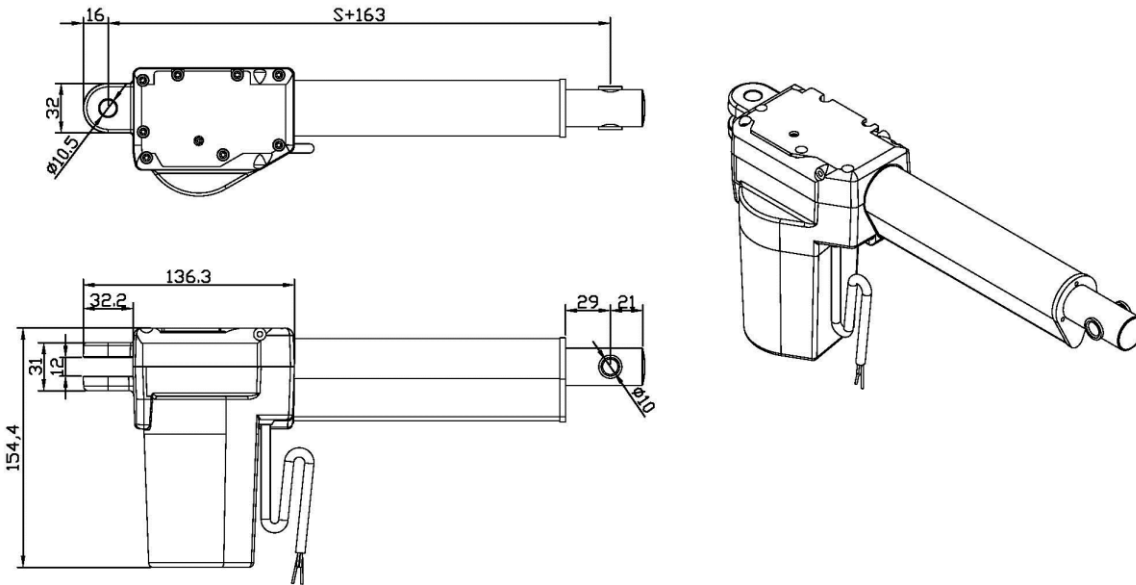
Options :

- Can be mounted with CB03
- Can choose Grey white. (Min. Order 500pcs)



Dimension :

LA29 basic installation dimension is S+163 mm



LA29 Installation Dimension :

Stroke Length mm	100	150	200	250
Basic Installation mm	263	313	363	413
Stretched Length mm	363	463	563	663

Notice : Actuator must select L-Din Plug and have 100mm above stroke length when mounted with CB03.