

## 3-4 LA30 -RF



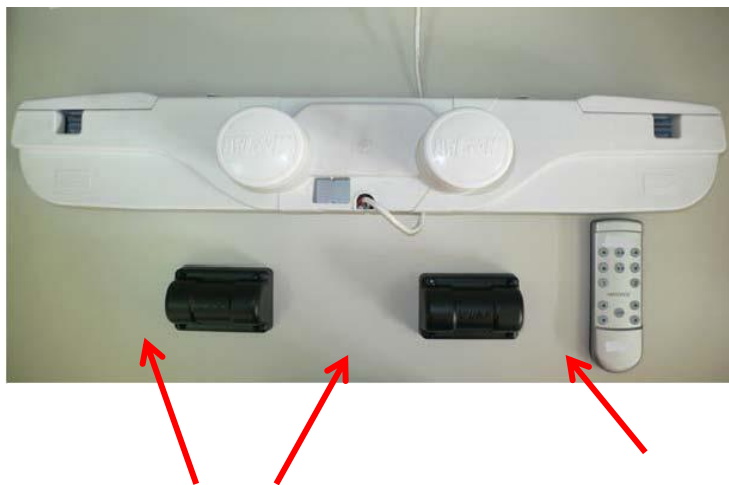
LA30-RF is 2 motors built-in actuator can be controlled by wireless remote, also can be used with 2 massage motors. It's suitable for various home living beds. Easy installation and the simple structure create enjoyments for the living with comfortable sleeping environment.

### Features:

- Simple external structure and easy installation
- Low noise
- Solid structure and durable feature
- Main power voltage: AC220-240V 50Hz; AC100-120V 60Hz
- Duty cycle max. 10% or 6 min. rest per hour in continuous use
- Ambient temperature: +5°C to +40°C
- Standard protection level : IP20
- Low electricity consumption, high thrust 4000N x2 <Max. thrust 6000N x2 >
- Sliding safety lid
- Color: White-grey

### Options :

- Can go with 2 massage motors, just adjust the massage intensities as you like.(If you need more functions please contact LINKAN A/C R&D department)

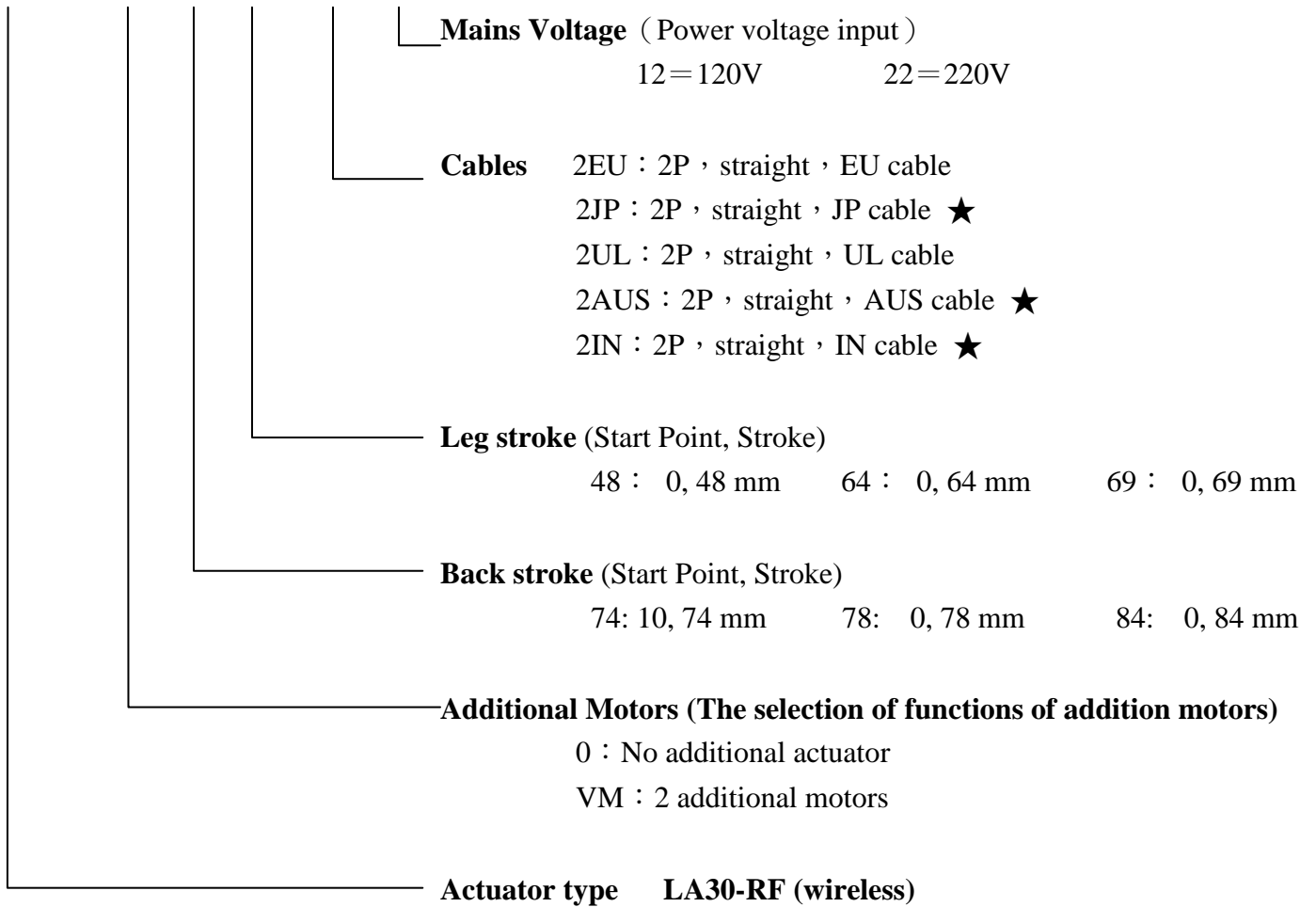


Wireless remote control

Massage Motors

**LA30 Ordering Example :**

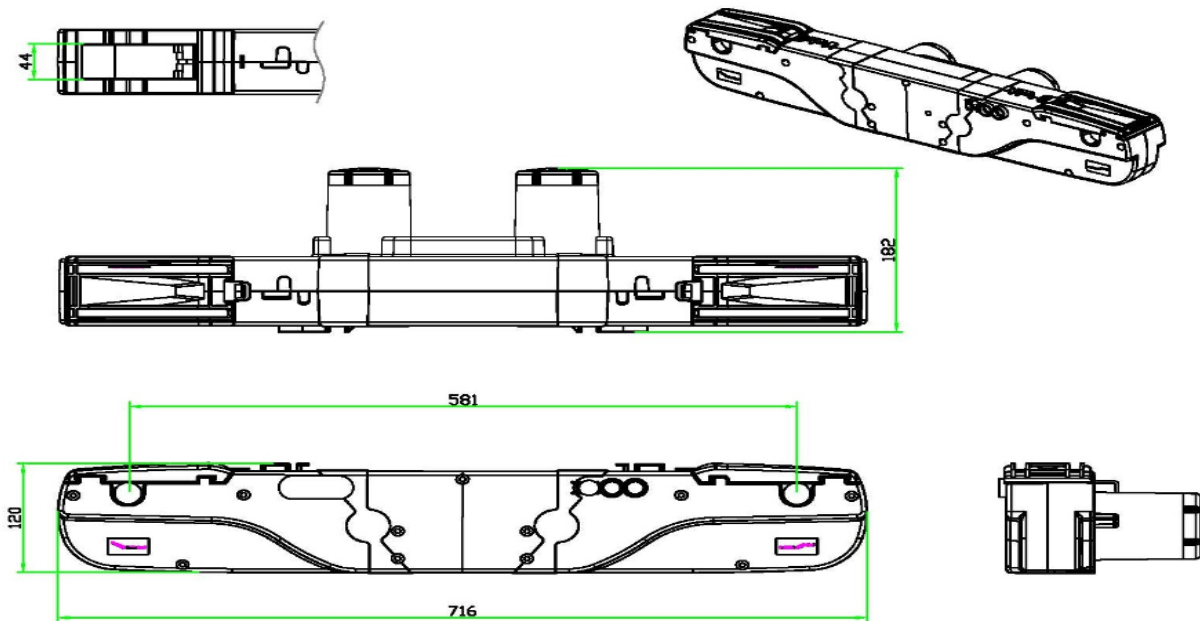
**LA30-RF -VM- 84 - 64 - 2UL + 22**



The 「★」 signal is for special specification.

**Dimension:**

**LA30-RF**



**Notice :**

- ◆ Please contact R & D department of LINKAN A/C for the structure of bed when first time purchase LA30.