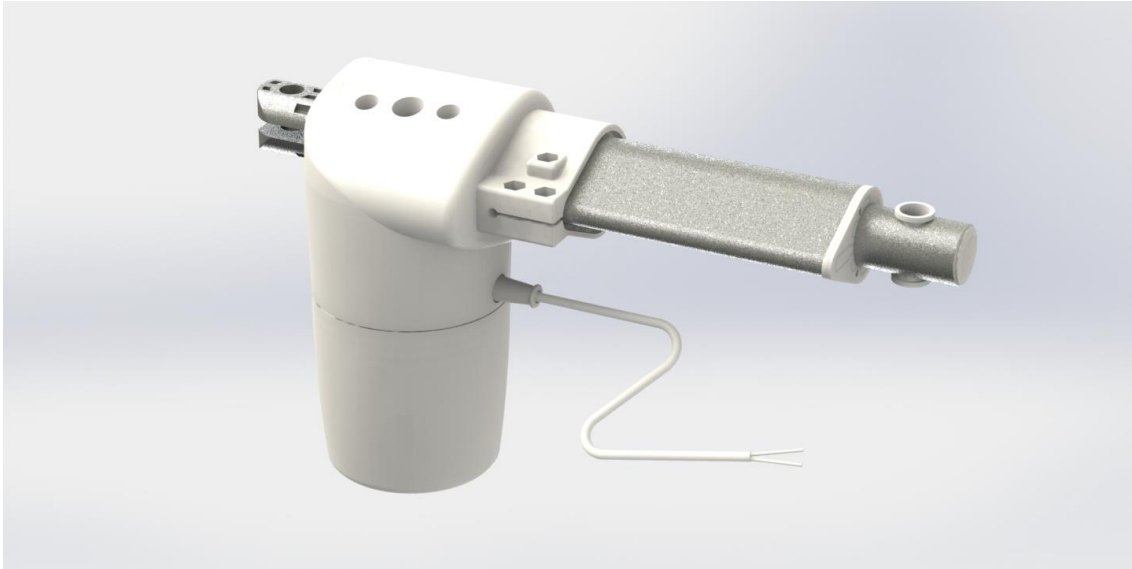


## 3-7 LA33



LA33 is a lowered-price actuator. The inner and outer tubes made of aluminum material. It is suitable to use in furniture, care, medical device and sport sectors.

### Features :

- 24V DC permanent magnet motor
- Thrust 4000N~ 6000N
- Built-in end stop signal switches (not adjustable)
- Stroke length: 5cm~30cm
- The outside tunnel is aluminum material, exquisite and classical
- Elegant and compact design; small installation dimension
- Can be mounted with CB06 as a set
- Duty cycle: Max. 10% or 2 min./ 18 min. in continuous use
- Ambient temperature: +5°C to +40°C
- Color: Gray-White (Black Min. Order 500pcs)

### Options :

- Back fixture position 0° or 90°
- T-Din Jack Plug for mounting with CB06 or combining LA30
- Spline device
- Protection class: IP51
- Can install Hall Sensor function (Contact R & D department of LINKAN A/C first)

**LA33 Ordering Example :**

**LA33. 3 S R - 20 - 200 + R H S**

**TYPE OF PLUG (Notice plug on control box)**

- S : JACK (STANDARD)
- X : WITHOUT PLUG
- L : L-Din Jack ※Only for China products .
- D : 2 cores DIN
- 4D : 4 cores DIN
- 5D : 5 cores DIN

**BACK FIXTURE DIRECTION (The direction of actuator installation)**

- H : HORIZONTAL
- V : VERTICAL
- C : Horizontal + Metal
- D : Vertical + Metal

**TYPE OF EYES (Front install head in the spindle)**

- R : ROUND

**CABLE LENGTH**

- 50 = 50cm (Mount with CB06)
- 100 = 100cm      150 = 150cm      200 = 200cm

**STROKE LENGTH**

- 5 = 5cm ★      10 = 10cm      15 = 15cm
- 20 = 20cm ※      25 = 25cm ※      30 = 30cm ★

**Reed Switch**

- R : As the worm gear rotate one cycle, Reed Switch sends out 4 signals (pulses). R can let control box to read signal and run memorizing and positioning control.
- H : Unipolar Hall Sensor

**FUNCTION (Avoid being clipped and fixed when actuator encounter obstacles in the movement, only for Push)**

- S : SPLINE (3mm pitch spindle only)
- N : Without SPLINE

**SPINDLE PITCH**

- 3 : 3 mm
- 6 : 6 mm※

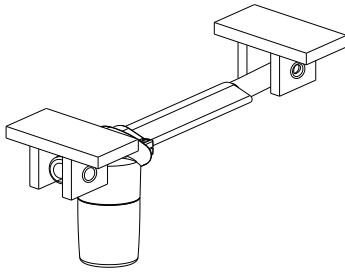
**ACTUATOR TYPE LA33-BASIC**

The 「★」 signal is for special specification.

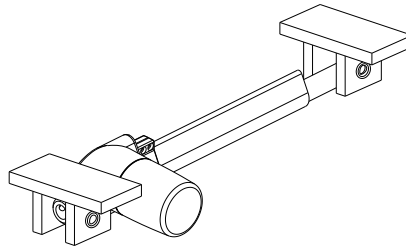
The 「※」 signal is only for China products .

## Back Fixture Direction (The direction of Actuator installation)

V type(Vertical install)

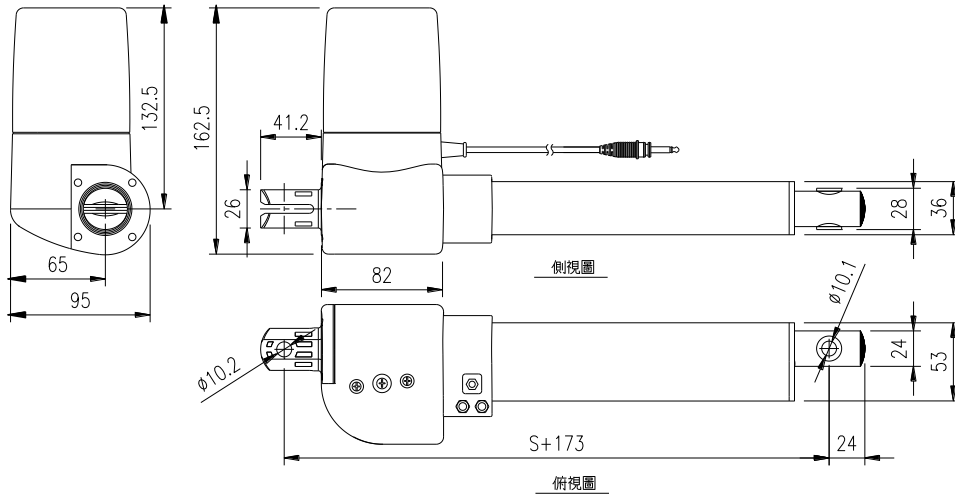


H type(Horizontal install)



## Dimensions :

If LA33 stroke exceeds 100 mm, basic installation is S+173 mm



## LA33 Installation Dimensions

Actuator Stroke mm	100	150	200	250	300
Basic Installation Dimension mm	288/273	323	373	423	473
Stretch Stroke mm	388/373	473	573	673	773

## Notice :

- ◆ Stroke of actuator must be 100mm or above, when mounting with CB06,
- ◆ Spline function is only used with LA33.3
- ◆ Installation dimension for stroke 100mm: N-type : 273mm ; S-type : 273mm / 288mm