

3-9 LA35



LA35 is a powerful actuator and the max load to 7000N in push. The inner tube is made of stainless material for supporting heavy load. It is suitable to use in dental chairs, hospital beds which require higher push capacity, sport equipment etc.

Feature :

- 24V permanent magnet motor
- Thrust 4000N~7000N
- Built-in end stop signal switches (not adjustable)
- Stroke length : 10cm, 15cm, 20cm
- The outside tunnel is aluminum material; inside tunnel is stainless material with low friction and high quality.
- Elegant and compact design; small installation dimension
- Duty cycle: Max. 10% or 2 min./ 18min. in continuous use
- Ambient temperature: +5°C to +40°C
- Color : Gray-white (Black Min. Order 500pcs)

Option :

- Back fixture position 0° or 90° and can choose strong-type solid back fixture
- Reed switch can combine CB05 or CB28
- Rod eye can be grooved
- Protection level : IP66
- Can install Hall Sensor function (Contact R & D department of LINKAN A/C first)

LA35 Ordering Example :

LA35. 3 R - 10 - 100 - R H D

TYPE OF PLUG (Select plug that fit with control box)

- D : 2 cores DIN (Standard)
- 4D : 4 cores DIN
- 5D : 5 cores DIN
- J : Jack
- X : Without Plug

BACK FIXTURE DIRECTION (The direction of actuator installation)

- H : Horizontal V : Vertical
- A : Horizontal + Solid (700Kg) ★
- B : Vertical + Solid (700kg) ★
- C : Horizontal + Metal (700Kg)
- D : Vertical + Metal (700kg)

ROD EYE DIRECTION R : Groove S : Standard

CABLE LENGTH 100 = 100cm 150 = 150cm 200 = 200cm

STROKE 10 = 10cm 15 = 15cm 20 = 20cm

REED SWITCH

- R: As the worm wheel gear rotate one cycle, Read Switch sends out 4 signals (pulses). R can let control box to read signal and run memorizing and positioning control
- H : Unipolar Hall Sensor ★

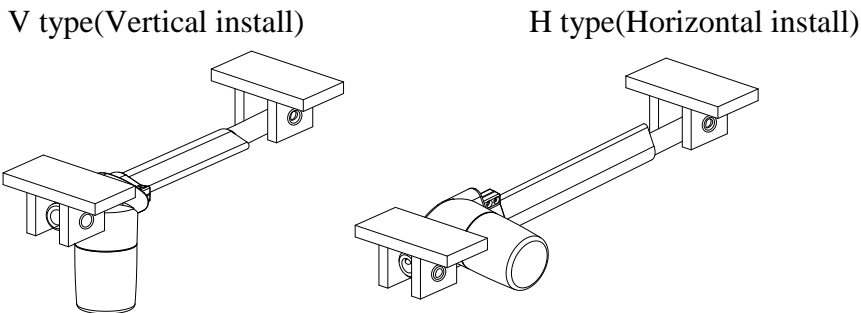
PITCH 3 : 3mm (Large thrust type) 6 : 6mm (Fast type) ※

ACTUATOR LA35-BASIC

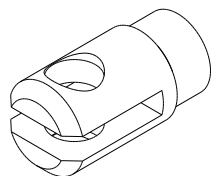
The 「★」 signal is for special specification.

The 「※」 signal is only for China products .

Back Fixture Direction (The direction of Actuator installation)

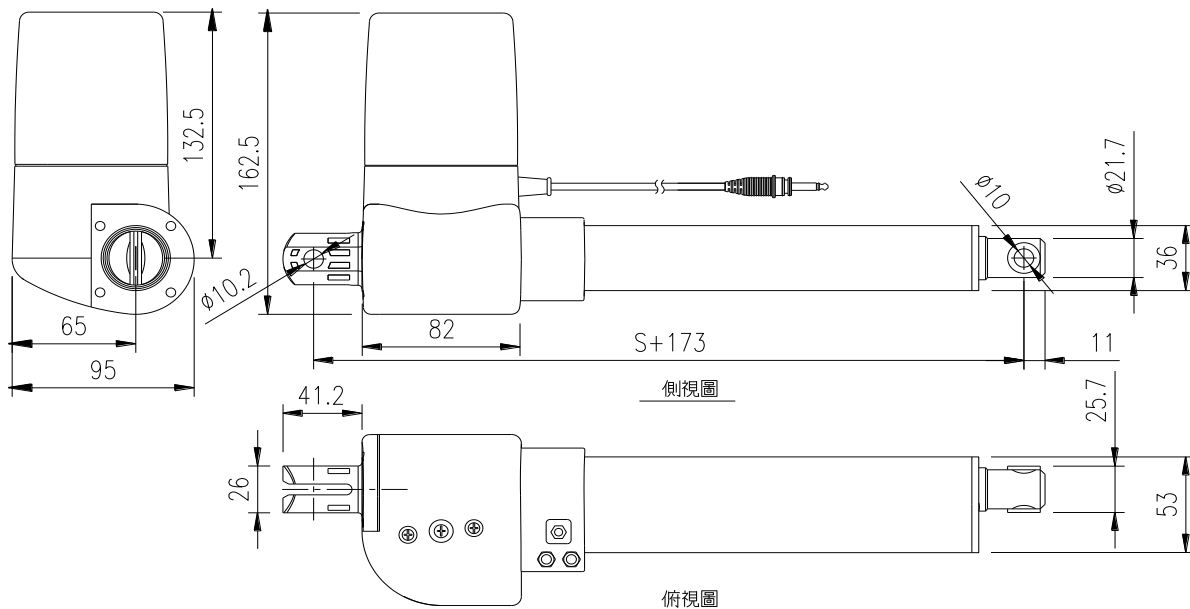


Rod Eye Type : (Front Install Head) Option of additional accessory “R” is Groove” Type



Dimension :

If LA35 stroke > 100mm, basic installation dimension is S + 173 mm



LA35 Installation Dimension

Actuator Stroke mm	100	150	200
Basic Installation Stroke mm	288	323	373
Stretch Stroke mm	388	473	573

※200mm above stroke need to discuss with R&D department of LINKAN