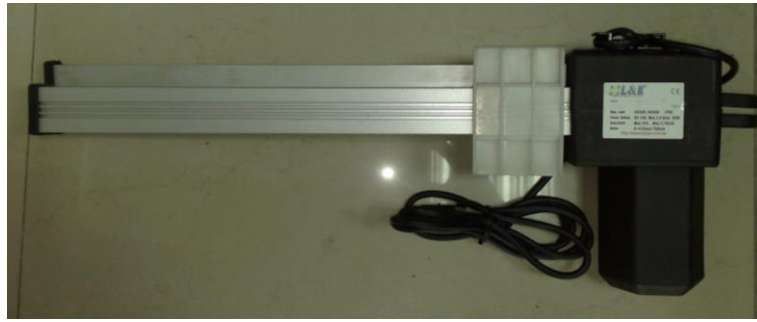


3-10 LA36



LA36 is the actuator which has a slide block moving parallel on the outer tube, it mostly applies on electrical home chair and sofa.

Features :

- 24V DC permanent magnet motor, Thrust 1000N
- Robust structure design with easy installation and low noise
- Duty cycle: Max. 10% or 2 min./ 18 min. in continuous use
- Ambient temperature: +5°C to +40°C
- Protection class: IP54
- Color: Black

LA36 Ordering Example :

LA36. 9- 325 - 100 - T

TYPE OF PLUG

T : T-plug (For CB08, AD01)

CABLE LENGTH

100: 100cm 150: 150cm 200: 200cm 250: 250cm

STROKE

325 : 325mm 330 : 330mm 333 : 333mm

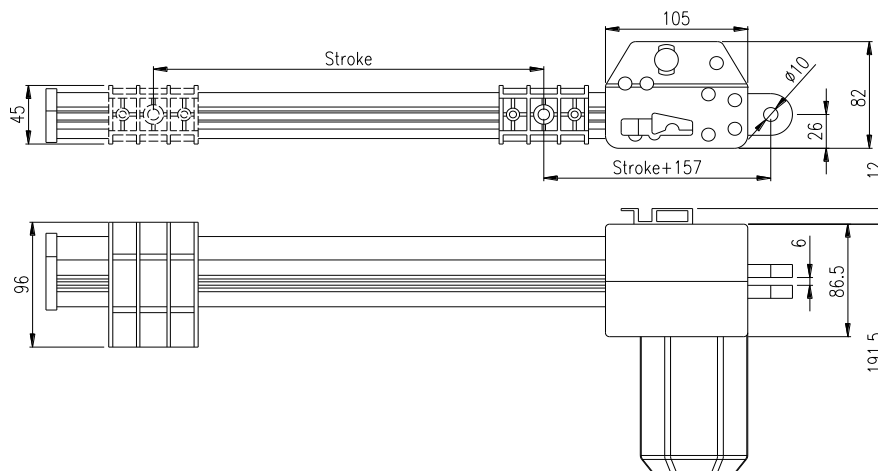
PITCH

9: 1000N

ACTUATOR TYPE

LA36-BASIC

Dimension:



LA36 Installation Dimension :

Actuator Stroke mm	325	330	333
Basic Installation Stroke mm	157		
Stretch Stroke mm	482	487	490