

3-13 LA39



LA39 is a thin shape actuator, it is mainly used in equipment which has narrow space for actuator installation and requires fast and powerful actuator installed, Ex. automatic up and down table, lock set of under bed cabinets, and furnished cabinets.

Features :

- 24V DC permanent magnet motor
- Thrust 1000N~3500N, Typical Speed 5.0~30.0mm/s
- High-Strength Plastic housing protects motor and gear
- Strong wear and corrosion resistant stainless steel inner tube
- Elegant and compact design with small installation dimensions.
- Steel piston rod eye
- Duty Cycle: Max. 10% or 2 min. / 18min. in continuous use
- Ambient temperature: +5°C to +40°C
- Protection class: IP54
- Color: Black

Options :

- Protection class: IP66(not allowed being in wash tunnels)
- 0.2/0.4m coiled cable with DIN or Jack plug
- Back fixture position 0°or 90°
- Steel groove piston rod eye
- Can install overload protection circuit inside

LA39 Ordering Example :

LA39. 4 A - 15 - 100 - S H D

TYPE OF PLUG (Notice plug on the control box)

D : 2cores Din ★ J : Jack X : Without Plug

BACK FIXTURE DIRECTION (The direction of actuator installation)

H : Horizontal (Min Oder 100 pcs) ★ V : Vertical

TYPE OF MOTOR

S : Strong (max for 350Kg)

※Note : Standard motors from 1 August 2013 stop production.

COLOR - : Black

CABLE LENGTH

100=100cm ★ 150=150cm 200=200cm

STROKE LENGTH

10=10cm ★ 15=15cm ★ 20=20cm

25=25cm ★ 30=30cm

LIMIT CONTROL DEVICE

A : Standard Form (NO PCB inside)

B : Contain Overload PCB.

C : Contain Overload PCB Relay and can connect
To handset or footswitch★

SPINDLE PITCH (The thread revolves the distance)

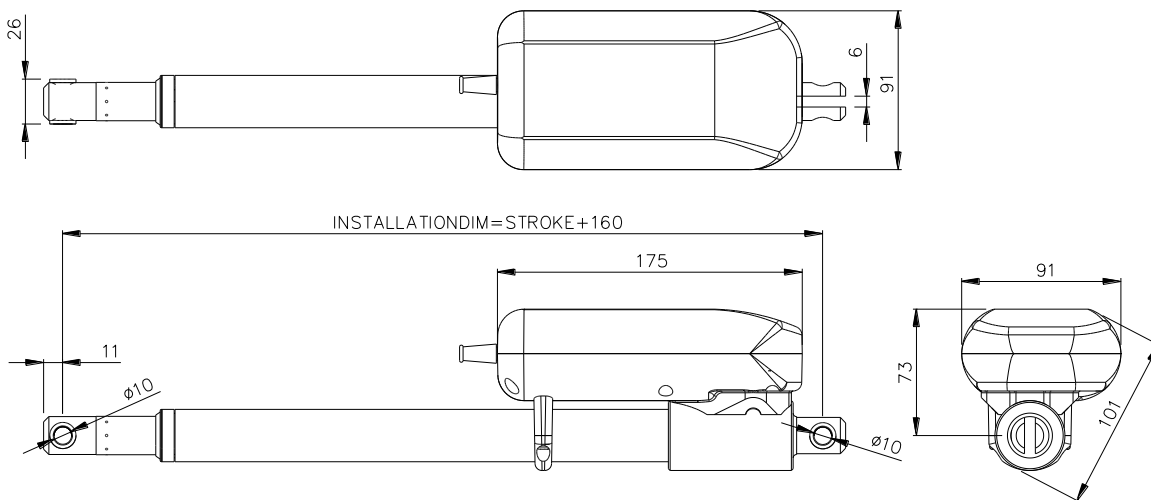
4 : 4.0mm ※ (Small pitch, power: large, speed: slow)

9 : 9.0mm※ (Large pitch, power: small, speed: fast) ★

ACTUATOR TYPE LA39- BASIC

The 「★」 signal is for special specification.

Dimensions :



Basic Installation Dimension :

Actuator Stroke mm	100	150	200	250	300
Basic Installation Stroke mm	260	310	360	410	460
Stretch Stroke mm	360	460	560	660	760